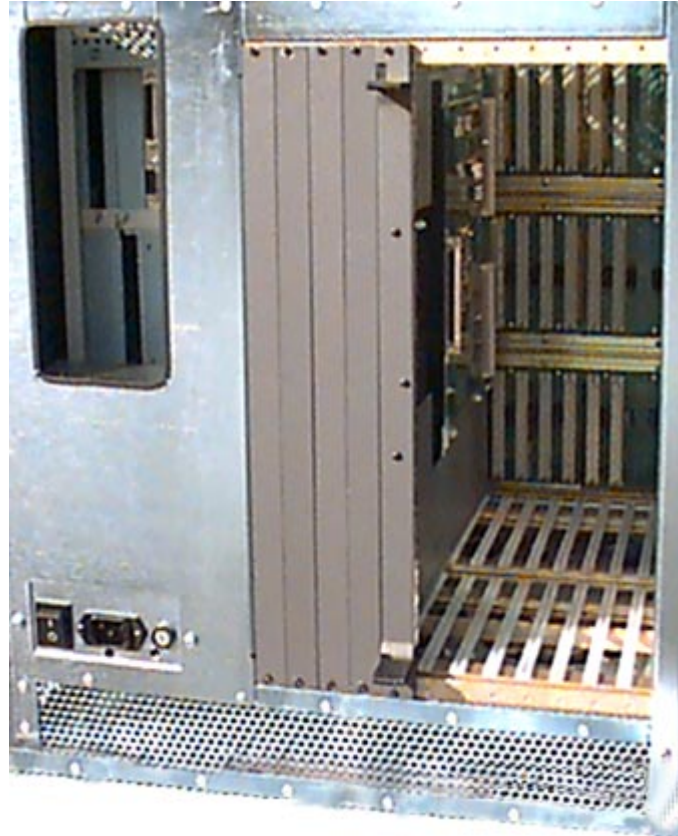


UltraVME-5 from Solflower Computer, Inc.

A Sun Ultra™ 5 with built-in VME connectivity



Key Features:

- Encapsulates an off-the-shelf Sun's Ultra5 Series and VMEbus in a single 12u EIA industrial rack-mount enclosure
- Two (2) 33Mhz, 32-bit PCI slots for I/O expansion.
- Seven (7) x 9U VMEbus slots for industry standard I/O expansion.
- Single AC power switch controls both Ultra5 and VME unit.
- Solflower's VME driver supports Solaris 2.5.1, 2.6, and 7.
- Design for easy integration and service.

General

The model UltraVME-5 is a low cost, industrial rack-mount computer system that combines an off-the-shelf Sun Ultra 5 series and 8-slot 9U VME backplane in a single 12u EIA chassis. All components are modular design for easy integration and service including the Sun Ultra 5 which remains in the original case to retain Sun's warranty, service, and upgradeability.

Packaging

The UltraVME-5 is designed for industrial rugged application. Sized as 17" x 20" x 20" (W x D x H), the UltraVME-5 fits in any 19" rack-mount cabinet. A hot swappable fan tray locates at the bottom of the chassis enhancing fault resilient performance.

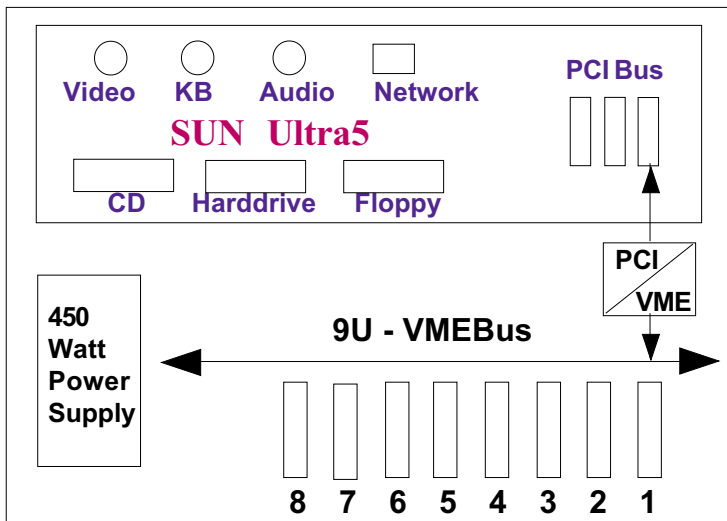
The all-steel enclosure provides EMI/RFI shielding protection and the unit comes with the standard L shape rack-mount brackets.

The integrated UltraSparc 5 into the UltraVME-5 does not require any modification or disassembling to maintain the original functionality.

Software

The UltraVME-5 takes full advantage of Solaris 2.5.1, 2.6, 7 and supports standard Sun 4 VME device drivers. It allows existing VME software can be used in conjunction with the computing power of the UltraSPARC, eliminate the need to develop new device drivers.





UltraVME-5 Block Diagram

VME I/O Specifications

VME bus Master/PCI Bus Slave

- Conforming to VME64 specification including D64 BLT modes
- Support Read Modify Write (RMW) and Address Only with Handshake mode (ADOH)
- Seven interrupt levels for either Fairness or Round Robin modes
- Release When Done (RWD) or Release On Request (ROR) modes programmable
- VME DMA D32 mode read/write 30-40MB/s
VME DMA D64 mode read/write 60-70MB/s
- Built-in DMA controller for transferring data across buses
- Programmable VME time-out 16 to 1024 msecs
- Supports SYSCLK on slot 1 VME
- Automatic adjustment of the windows mapping when host access any VME address.
- Cover up to 8 PCI slave windows, allows simultaneous mapping of multiple VME spaces
- Seven 9U VME slots available

Software Compatibility

- UltraVME-5 driver provides complete software compatibility with standard Sun-4 VME device drivers.
- Supports Solaris 2.5.1, 2.6, 7



3511 Thomas Road, Ste-2
 Santa Clara, CA 95054
 Phone: (408) 982-8680
 Fax: (408) 982-8685
 E-mail: info@solflower.com
 Web: http://www.solflower.com

Ultra5 Specifications

High Performance

- 300-330 Mhz, 64 bit UltraSPARC Ili microprocessor with 256KB - 2MB external cache deliver SPECint_95 at 12.1 - 14.1
- Up to 512MB of 60ns, 168-pin EDO JEDEC DRAM with ECC error correction.
- The Advance PCI Bridge (APB) provides PCI masters direct, high-capacity access to memory
- Onboard 8-bit graphics support for up to 1280 x 1024 resolution

Expandability

- Two PCI bus I/O slots with full master/slave support, burst rates up to 64 bytes.
- Up to 512-MB of RAM on CPU board.
- Internal storage capacities of up to 17.5GB with two 3 1/2" hard drives.
- Advanced, fast 24-bit graphics card
- Four built-in I/O ports:
 Ethernet port
 Two RS-423 serial ports with
 Audio I/O port

Chassis Specifications

Physical Dimensions

Height20.00 inches
 Width17.00 inches
 Depth20.00 inches
 Weight w/ Ultra5.....110 LBS
 Weight w/o Ultra5.....84 LBS

Environment

Temperature
 Operating 10° to 40° C (50° to 104° F)
 Non-operating -20° to 60° C (-4° to 140° F)

Regulations

Agency approvals:
 RFI/EMI FCC Class B, EN 55022, EN55082-1
 CE verification

Power Supply Specifications

- VME Chassis

450 Watts power supply
 110 / 220 60/50 Hz auto switching
 5VDC @ 60 Amps
 12VDC @ 10 Amps
 -12VDC @ 2 Amps
 -5VDC @ 2 Amps

- Ultra-5 Chassis

Original Sun Ultra-5 200W power supply